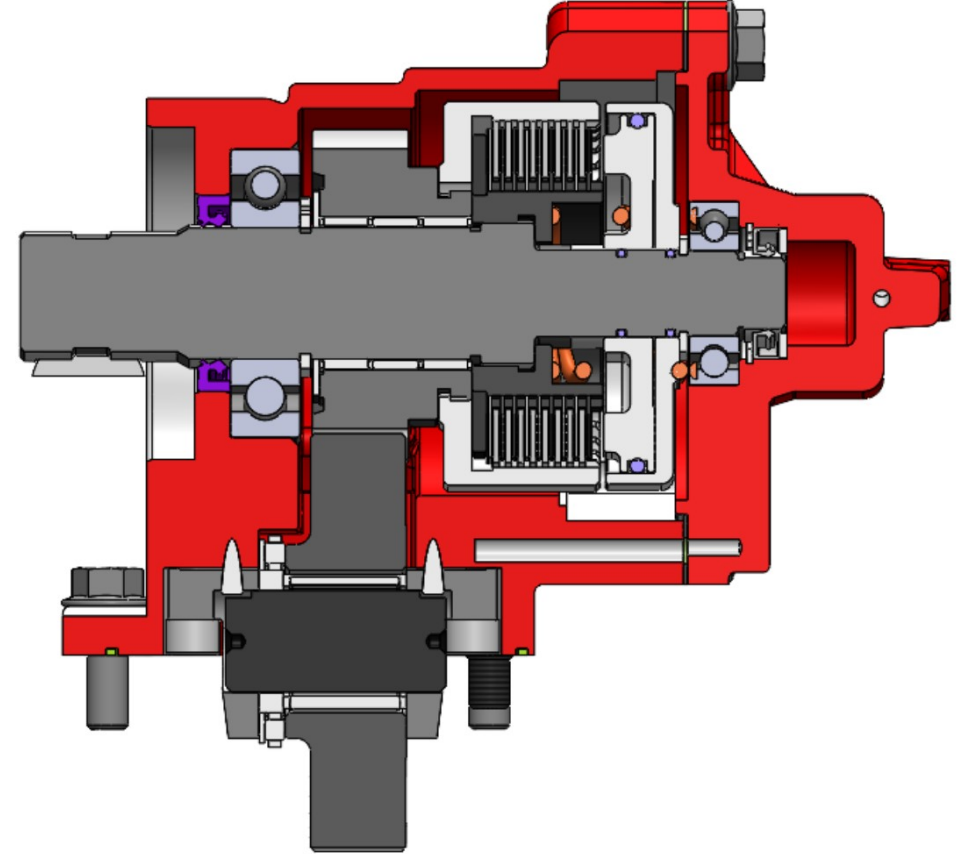
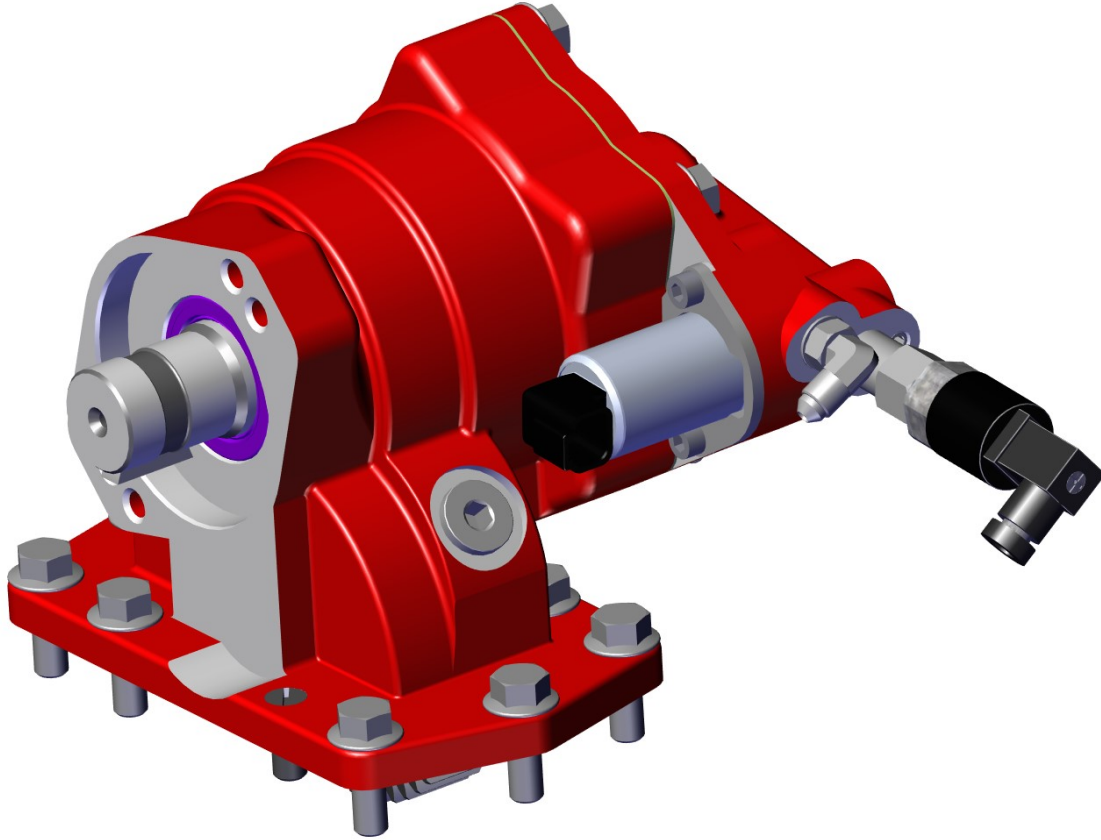


Ürün Kodu / Product Code

P.FORD.210.GMMFP-01

Revizyon Numarası-Tarih / Revision No-Date

00 - 25.12.2025

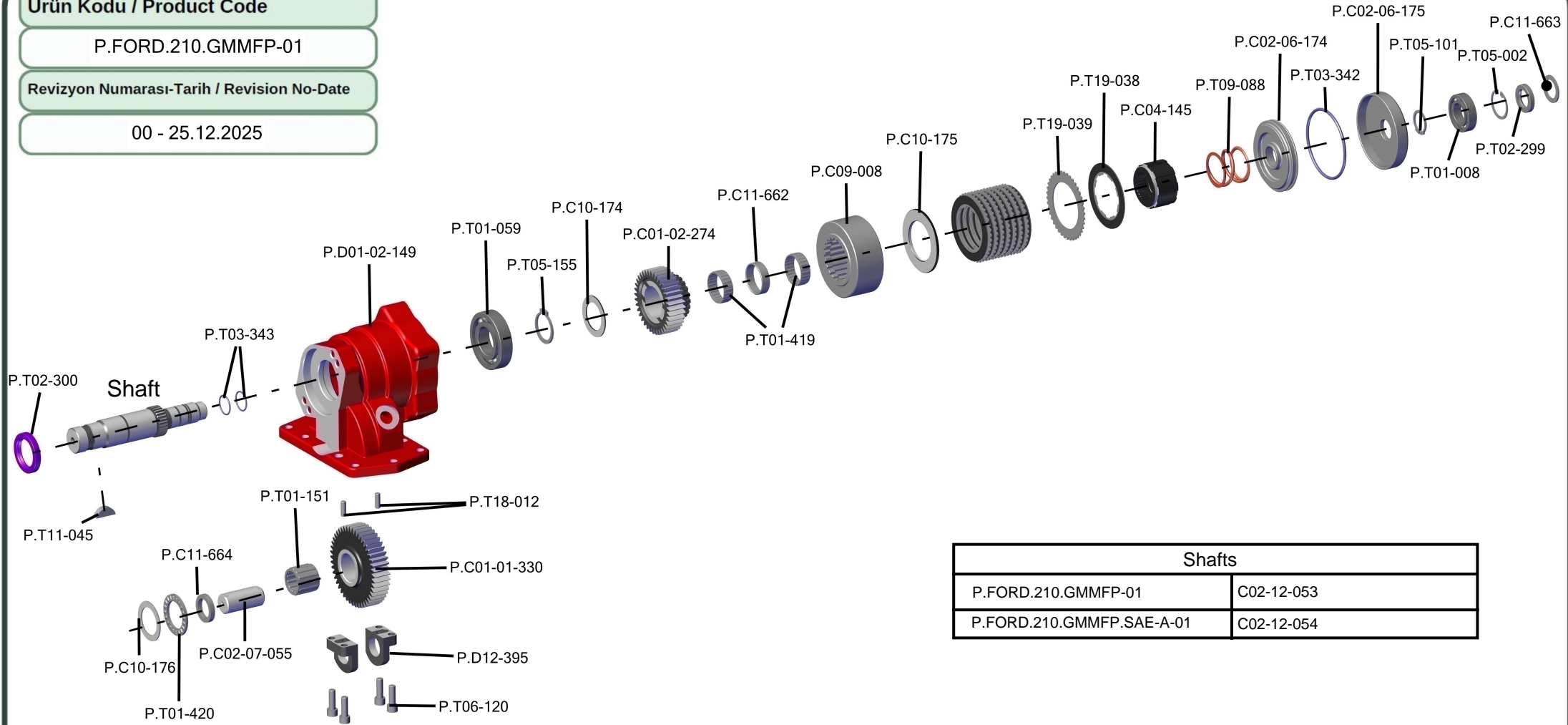


Ürün Kodu / Product Code

P.FORD.210.GMMFP-01

Revizyon Numarası-Tarih / Revision No-Date

00 - 25.12.2025



Shafts	
P.FORD.210.GMMFP-01	C02-12-053
P.FORD.210.GMMFP.SAE-A-01	C02-12-054

Part Code	Explanation	Qty
P.C01-01-330	Ford 210 GMMFP PTO Upper Gear	1
P.C01-02-274	Ford 210 GMMFP PTO Lower Gear	1
P.C02-06-174	Ford PTO Brake Piston	1
P.C02-06-175	Ford PTO Piston Cap	1
P.C02-07-055	FORD 210 GMMFP PTO Upper Shaft	1
P.C04-145	FORD 210 GMMFP Brake Shaft Spline	1
P.C09-008	Ford 210 GMMFP PTO Brake Bowl	1
P.C10-174	Ø51,80xØ35,10x1,55mm Spacer	1
P.C10-175	Ø79xØ50x3,65 mm Spacer	1
P.C10-176	Ø50xØ35x1,35mm Spacer	1
P.C11-662	Ø39,5xØ35,5x11,20mm Spacer	1
P.C11-663	Ø34,60xØ23,85x2,00mm Spacer	1

Part Code	Explanation	Qty
P.C11-664	Ø34,95xØ25,25x6mm Spacer	1
P.D01-02-149	FORD 210 GMMFP PTO Body	1
P.D12-395	FORD 210 GMMFP PTO Upper Gear Shaft Part	2
P.T01-008	6005/C3 Roller Bearing	1
P.T01-059	6207/C3 Roller Bearing	1
P.T01-151	K25x35x30 Needle Roller Bearing	1
P.T01-419	K35x40x13 Needle Roller Bearing	2
P.T01-420	K2 81107 TN Cylindrical Roller Bearing	1
P.T02-299	8648 SKF Shaft Seal	1
P.T02-300	35x50x8 Shaft Seal	1
P.T03-342	82,14x3,53 O-ring	1
P.T03-343	21,95x1,78 O-ring	2

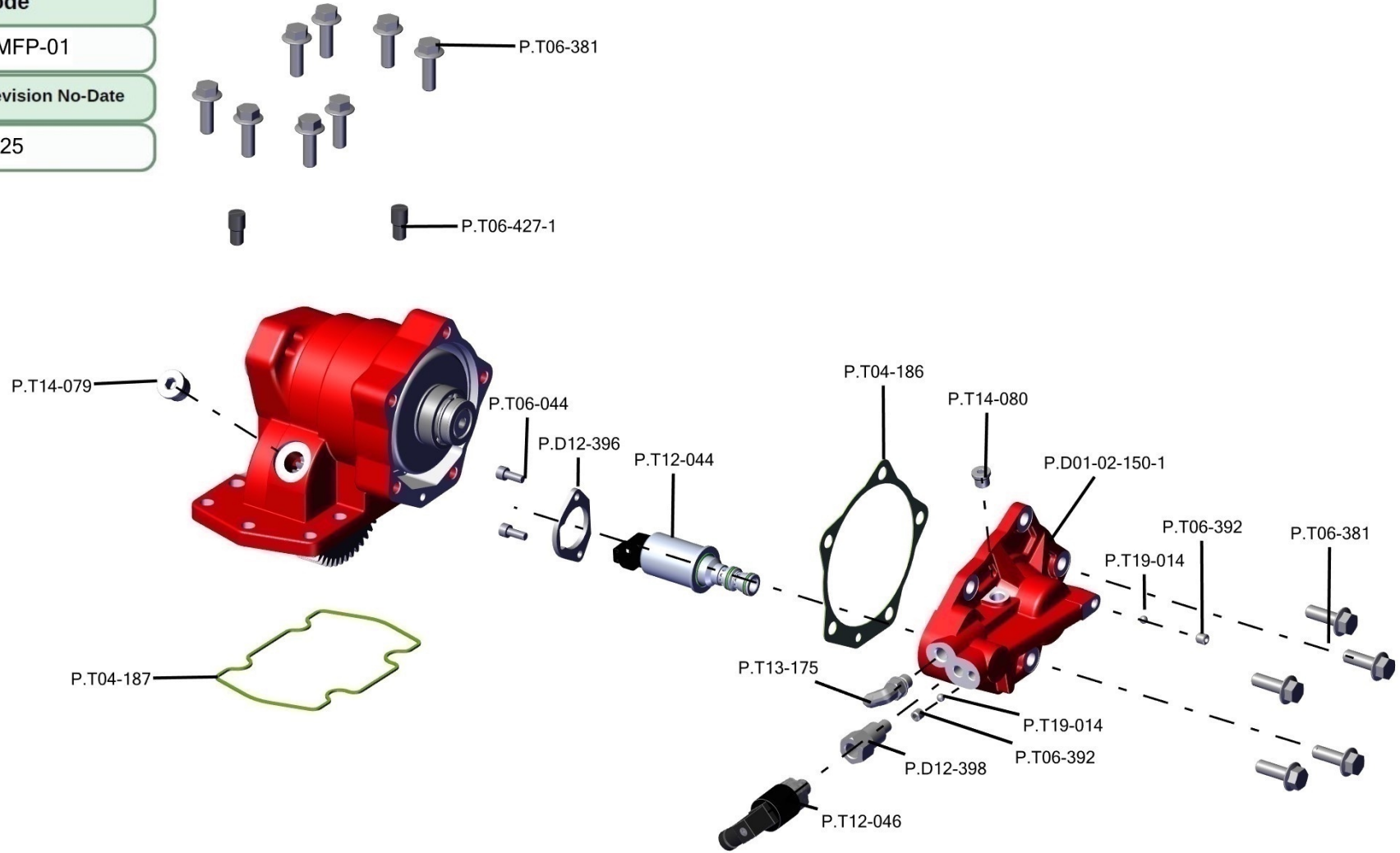
Part Code	Explanation	Qty
P.T05-002	DIN 472 Ø35x1.50 Circlip	1
P.T05-101	DIN 471 Ø25x2.00 Circlip	1
P.T05-155	DIN 471 Ø35x2.50 Circlip	1
P.T06-120	M8x1.25 L:25 Bolt	4
P.T09-088	FORD 210 GMMFP PTO Spring	1
P.T11-045	8x11 Half Moon Key L:27.35	1
P.T18-012	Ø6.35x19mm Pin	2
P.T19-038	FORD PTO Clutch	9
P.T19-039	FORD PTO Disc	8

Ürün Kodu / Product Code

P.FORD.210.GMMFP-01

Revizyon Numarası-Tarih / Revision No-Date

00 - 25.12.2025



Part Code	Explanation	Qty
P.D01-02-150-1	FORD 210 GMMFP PTO Cover	1
P.D12-396	Solenoid Valve Mounting Bracket	1
P.D12-398	Pressure Sensor Extension	1
P.T04-186	Klingrit Gasket	1
P.T04-187	Rubber Gasket	1
P.T06-044	M6x1 L:15mm Bolt	2
P.T06-381	M10x1.5 L:30mm Bolt	13
P.T06-392	M8x8 Setscrew	2

Part Code	Explanation	Qty
P.T06-427-1	M10x25 Setscrew	2
P.T12-044	Solenoid Valve	1
P.T12-046	Oil Pressure Sensor	1
P.T13-175	7/16 UNF Tube Fittings	1
P.T14-079	3/4 UNF Plug	1
P.T14-080	7/16 UNF Plug	1
P.T19-014	Ø6 mm Ball	2